

PhaserLink™ Upgrade for the Phaser 340 — Upgrade Kit Z340PL

This kit provides the components to give your printer PhaserLink™ capabilities. With PhaserLink firmware installed in your printer you can monitor and administer your printer using a World Wide Web browser. Printer's serial-numbered BCxxxxx and above already have PhaserLink software installed.

Network card firmware version. Your printer must have PhaserShare™ Version 2.0 (or higher) firmware installed on its Ethernet or TokenRing network card to run PhaserLink software. The printer's configuration page indicates the PhaserShare firmware level (see the next page to print out the configuration page). If your printer does not have Version 2.0 PhaserShare software, you can upgrade your printer's network card with either the 4676UP1 Upgrade kit (for the Ethernet network card) or the 4676UP4 Upgrade Kit (for the TokenRing network card). **Install the Z340PL Upgrade Kit first.**

The PostScript Code ROM SIMM replaced by this upgrade kit must be returned to Tektronix; otherwise, you will be invoiced for the unreturned ROM SIMM. Instructions for returning the ROM SIMM are provided at the end of this instruction sheet.

Contents

- Print engine ROM, Opt. 1: p.n. 163-0646-00 (Plus), OR
Print engine ROM, Opt. 2: p.n. 671-3913-00 (Std.)
- PostScript ROM SIMM: p.n. 671-3809-00, OR
PostScript ROM SIMM, KANJI: p.n. 671-3811-00
- Return shipping packaging and label (for the ROMs)
- Anti-static wrist strap
- ROM puller tool
- Printer user manual, driver manual, disks and CD-ROM (Z340PL upgrade kit only)

On-site installation

Professional, on-site installation is just a phone call away. Productivity is important to your business success – so when you need it done right – the first time – call Tektronix. Tektronix' on-site installation delivers what you've been looking for: expert service technicians who provide quality, on-site product installation. To schedule installation, in the United States and Canada, call 1-800-835-6100. Elsewhere, contact your local Tektronix dealer.

Don't install this upgrade, if you are not comfortable modifying electronic equipment.

Important! About the printer's IP address

Upgrading the printer will erase the printer's IP address from the printer's non-volatile memory. Therefore you should print the printer's configuration page, which lists the printer's IP address, before upgrading the printer.

1. While the printer is idle, press the **Menu** button to scroll to the *Help pages* menu item.
2. Press the **arrow** button to scroll to the item *Configuration page*. Press the **Print** button to print the Configuration page.
3. Note the printer's IP address printed on the print and save the print for later reference.

Static electricity precautions

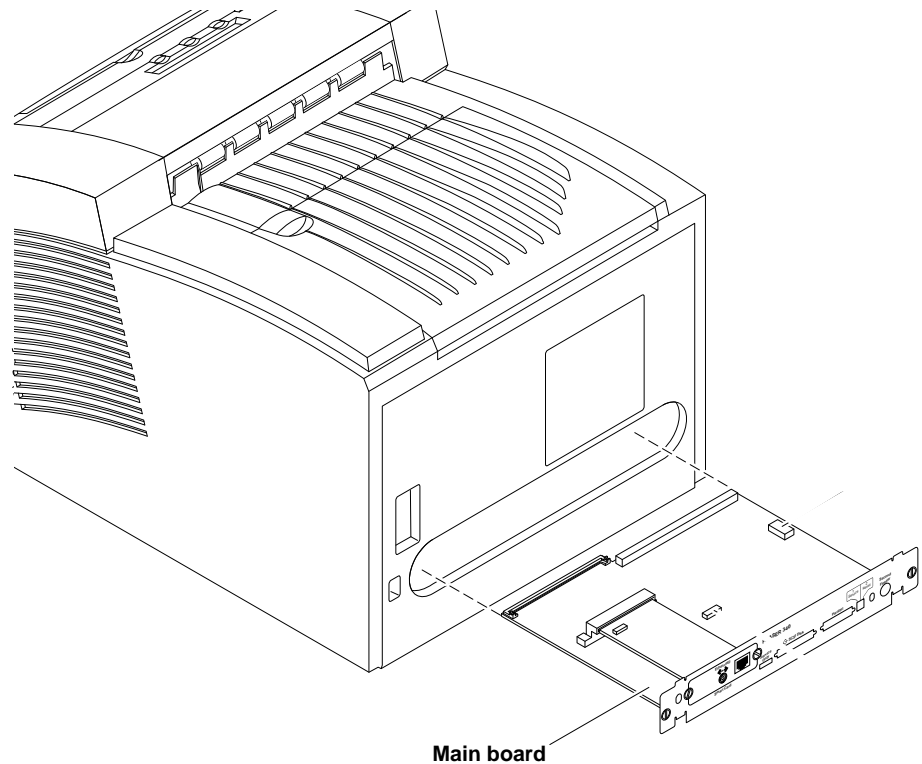
- Wear the wriststrap and connect it to the metal frame of the printer.
- Leave the printer plugged into its power outlet. This preserves a ground path for static discharges.
- Handle the circuit board(s) by their edges only. Do not lay the board(s) on a metal surface.
- Avoid wearing nylon or polyester clothing; they generate static electricity.

Upgrading the printer

Removing the main board

Caution *Do not tilt the printer.* If you must move the printer to access the rear of the printer to install the upgrade, be careful not to tip or tilt the printer. Hot, liquid ink in the printer could spill and damage the printer. Once the printer is turned off, it takes 30 minutes for the ink to cool to its solid state. Wait and allow the ink to cool.

1. Turn off the printer. Do not unplug the printer; this preserves a ground path to dissipate static charges. Unplug any network or computer connections to the printer.
2. Loosen the two thumbscrews securing the main board; remove the main board and place it on a flat, stable, static-safe surface.

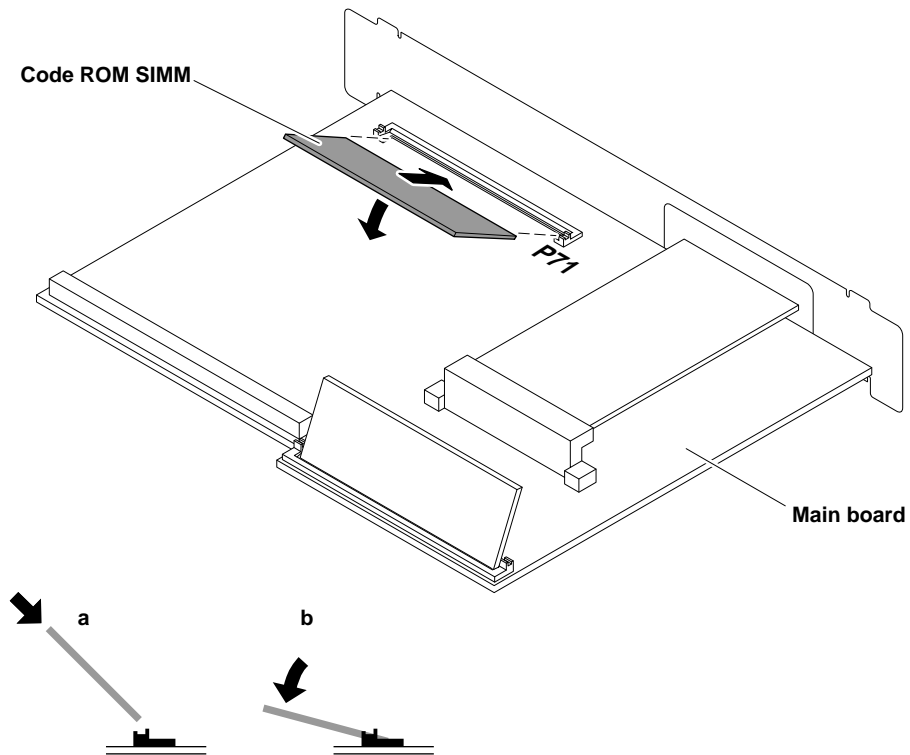


9100-63

Replacing the PostScript code ROM SIMM

3. Remove the currently installed PostScript code ROM SIMM in connector P71 by spreading apart the hook-like metal pawls securing each end of the SIMM in its connector. Remove the SIMM. To protect the SIMM from static electricity, slip it immediately inside an anti-static bag.
4. Insert the new PostScript code ROM SIMM in connector P71 (a), and tilt the SIMM down until it locks in place (b). The part number 671-3809-00 is printed on the back of the ROM SIMM to identify it.

When properly inserted, a tab on each end of the connector slips into a hole on each end of the code ROM SIMM. Also, a pawl on each end of the connector latches around each end of the SIMM to lock it in place.



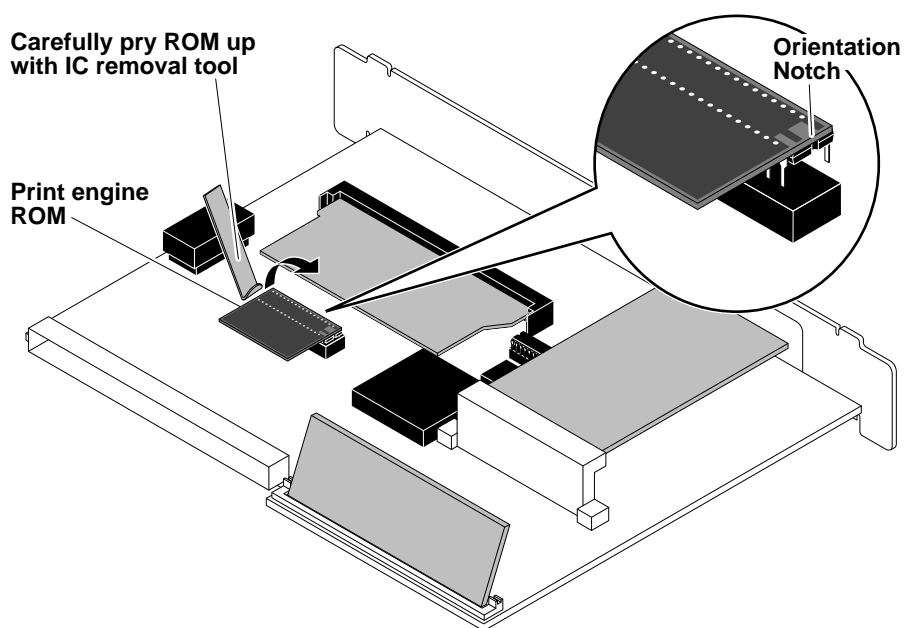
9100-79

Replacing the print engine ROM

5. Locate the print engine ROM on the main board.

Note Some products may use a standard ROM IC chip while others may use an adaptor circuit board (as show in the illustration below). Either part type can be substituted for the other on this main board. Also note that there are two versions of the new print engine ROM: If you ordered the upgrade kit Z340PL Option 1, you have the ROM IC chip labeled 163-0646-00, for a Phaser 340 Plus. If you ordered the upgrade kit Z340PL Option 2, you have the adaptor circuit board ROM, labeled 671-3913-00, for a base Phaser 340.

6. Insert the IC removal tool between the ROM (or adaptor board ROM) and its socket. *GENTLY* remove the old part by prying upward, being careful to not damage the main board. When the near end of the part begins to lift from the socket, gently lift the other end of the part with your fingers to prevent damage to the ROM's pins. Remove the ROM. To protect the ROM from static electricity, slip it immediately inside an anti-static bag.



Z340-1-01

Note Identify Pin 1 end of the adaptor board the square pads on the upper surface of the board; alternately, you can identify the pin 1 end by the notch in the pin array on the bottom-side of the board. Likewise, a notch on the end of the ROM IC chip indicates the pin 1 end of the chip.

7. Support the main board from underneath by draping the metal back panel of the board over the edge of a desk or table.

8. Check for proper orientation and alignment of the pins; pin 1 should be oriented toward the network card end of the main board. Also ensure the pins are not bent. Gently install the new ROM in its socket. Carefully, inspect the ROM to ensure all the pins are properly inserted in the socket and are not bent or mis-installed.
9. Reinstall the main board into the printer; tighten the thumbscrews.
10. **Network Card Upgrade.** If necessary, install a network card upgrade kit 4676UP1 or 4676UP4. Instructions are included with the network card upgrade. The upgrade also includes new user and network manuals and a CD-ROM for your printer.
11. Turn printer on and allow it to warm up.
12. Refer to the *PhaserShare Network Cards and Software System Administration Manual* and the *PhaserShare Status Software User Manual* that came with the 4676UP1 or 4676UP4 upgrade kit for details on using PhaserLink.

Setting the printer's IP address

How you set the IP address in your printer depends on a number of factors such as the protocol used by your host TCP/IP network, whether or not you use a boot server, and the types of PCs or workstations available to you. The topic of setting the printer's IP address is fully explained in the Chapter 9 topic "Configuring your printer" in the *PhaserShare Network Cards and Software User Manual*. The instructions for setting the printer's IP address are also available on the Tektronix web page: http://www.tek.com/Color_Printers/userdoc.

Return the old ROMs to Tektronix

1. Repack the old PostScript code ROM SIMM and the print engine ROM in the anti-static bags. Place them in the shipping box.
2. In the U.S.A.:
 - a. Write the printer's original serial number on the shipping return label.
 - b. Securely tape the box closed and mail it to the pre-addressed location. Postage is prepaid.

Outside the U.S.A.:

- a. Affix the special international shipping return label, included with this update kit, to conceal the original U.S. shipping label.
- b. Write the printer's serial number on the shipping return label.
- c. Tape the box closed and ship the box to Tektronix, using your respective country's shipping method.